

## 4VPR35 300V P/N B22-H5

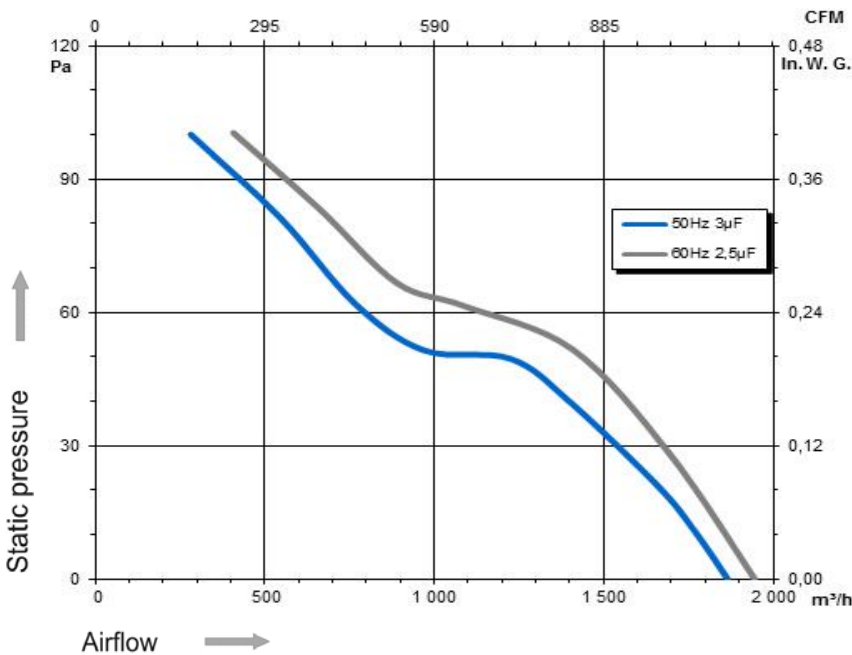
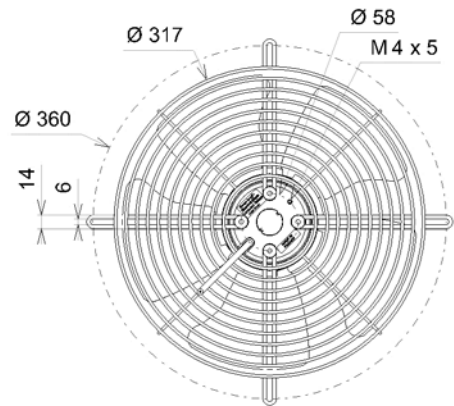
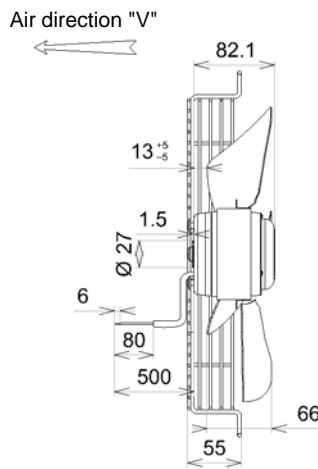
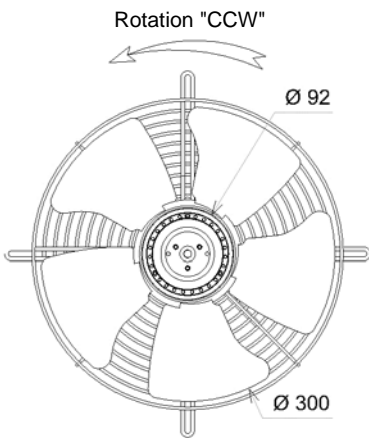
Substitute for Q09-25



Voltage	Frequency	Input power	Current	Capacitor	Airflow	Speed rotation	Noise level	Rotation direction	Operating temperature	ErP 2013	ErP 2015
V	Hz	Wa	A	µF	m³/h	RPM	dBA	↻	Min / Max		
230	50	94	0,41	3,0	1 865	1 310	57	L	-20°C / +50°C	NA	NA
230	60	97	0,45	2,5	1 945	1 475	59	L	-20°C / +70°C		
230	50				1097 CFM				-4°F / +122°F		
230	50				1144 CFM				-4°F / +158°F		

dBa : free let out

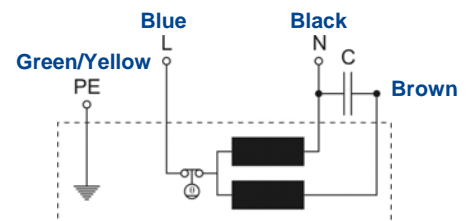
NA : Not Applicable



- Weight : 3,3 Kg
- Ball bearing
- Class F, thermally protected
- IP44 protection depending on installation and position as per EN60034-5
- G6.3 balancing
- Zinc coated impeller
- Rotor and impeller : black paint
- Basket finger guard : black paint



Capacitor for 50Hz	Capacitor for 60Hz	Connecting box	Connector
19012	19011	39658	09172



Non contractual document. All specifications are subject to change without prior notice. Picture for information only.