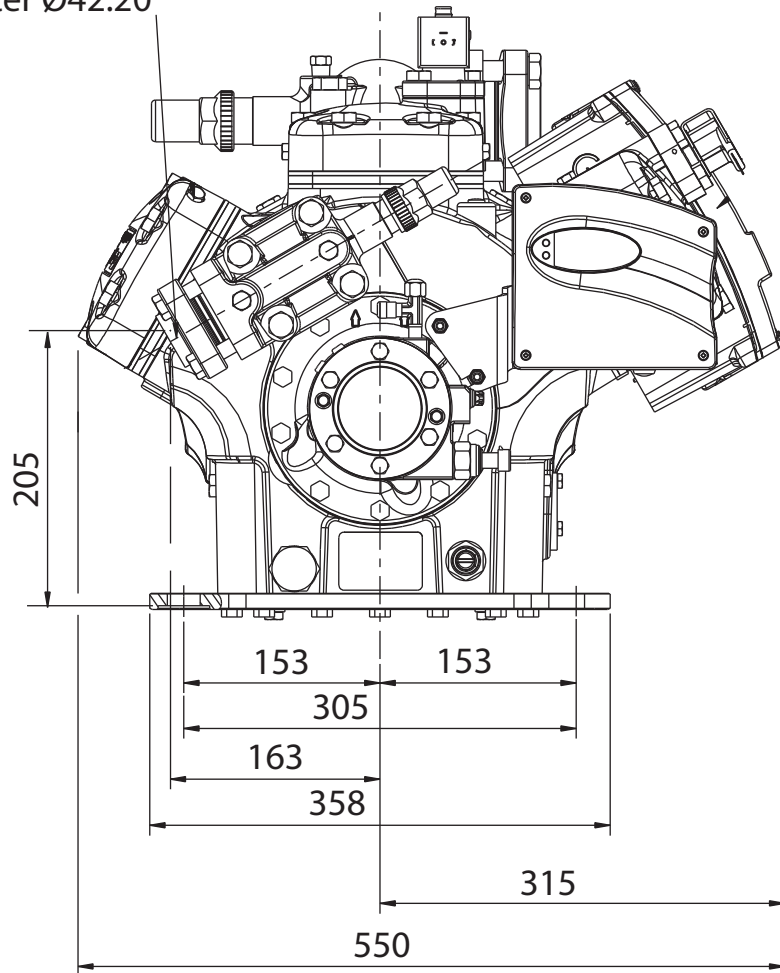


Model	Drawing Number	Revision Number	Date
6MJD1-45X	497-1231-00	0	12.12.2011
6MTD1-35X	497-1229-00	0	12.12.2011

Discharge Valve
 OUT Diameter Ø46.00
 IN Diameter Ø42.20



Suction Valve
 OUT Diameter Ø60.00
 IN Diameter Ø54.17

