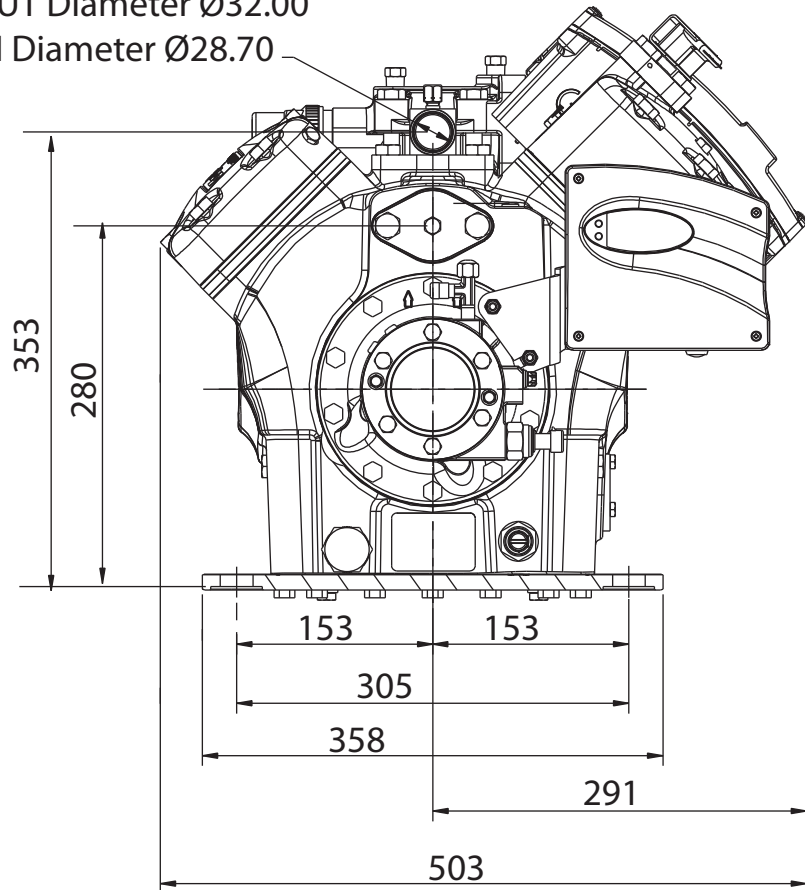


Model	Drawing Number	Revision Number	Date
4MAD1-22X	495-1218-00	0	19.03.2010
4MFD1-13X	497-1216-00	0	23.11.2011
4MLD1-15X	497-1217-00	0	25.11.2011

Discharge Valve
 OUT Diameter Ø32.00
 IN Diameter Ø28.70



Suction Valve
 OUT Diameter Ø46.00
 IN Diameter Ø42.00

