



INVOTECH

DC inverter scroll compressor

Accurate temperature control
Improved energy efficiency



Invotech Scroll Technologies

No. 68, Dongnan Road, Changshu, Jiangsu, PRC.

Customer service: +86 400 928 5006

www.invotech.cn

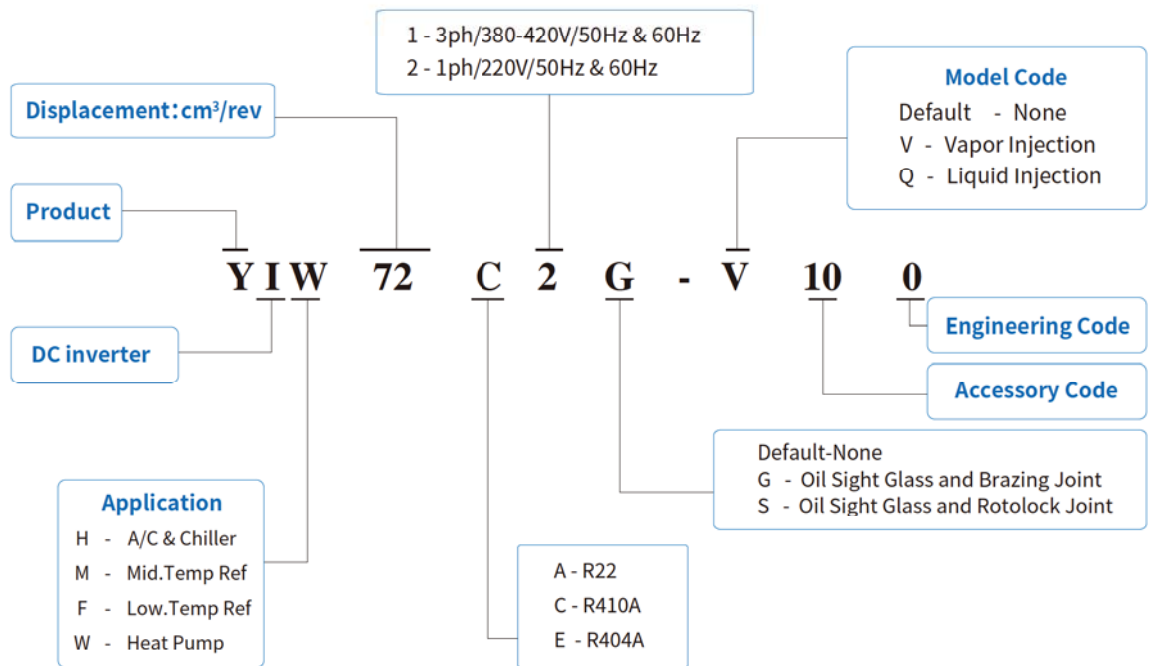


This brochure is the first draft of Invotech DC inverter scroll compressors. Every effort has been made to provide accurate descriptions and data. However, due to the continuing process of product improvement and evolvement, all information in this brochure is subject to change without notification.

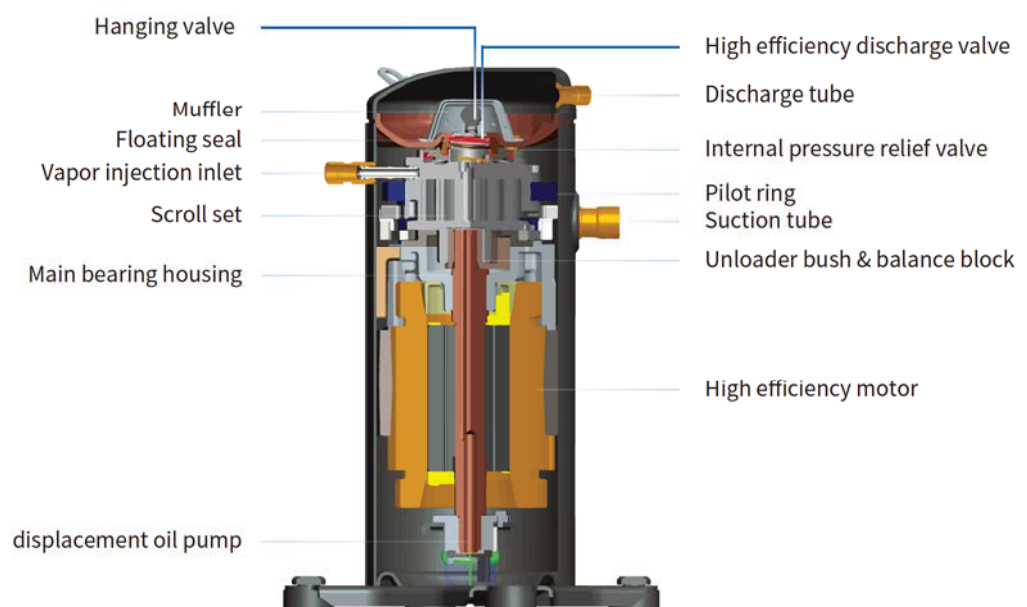
INVOTECH_201807



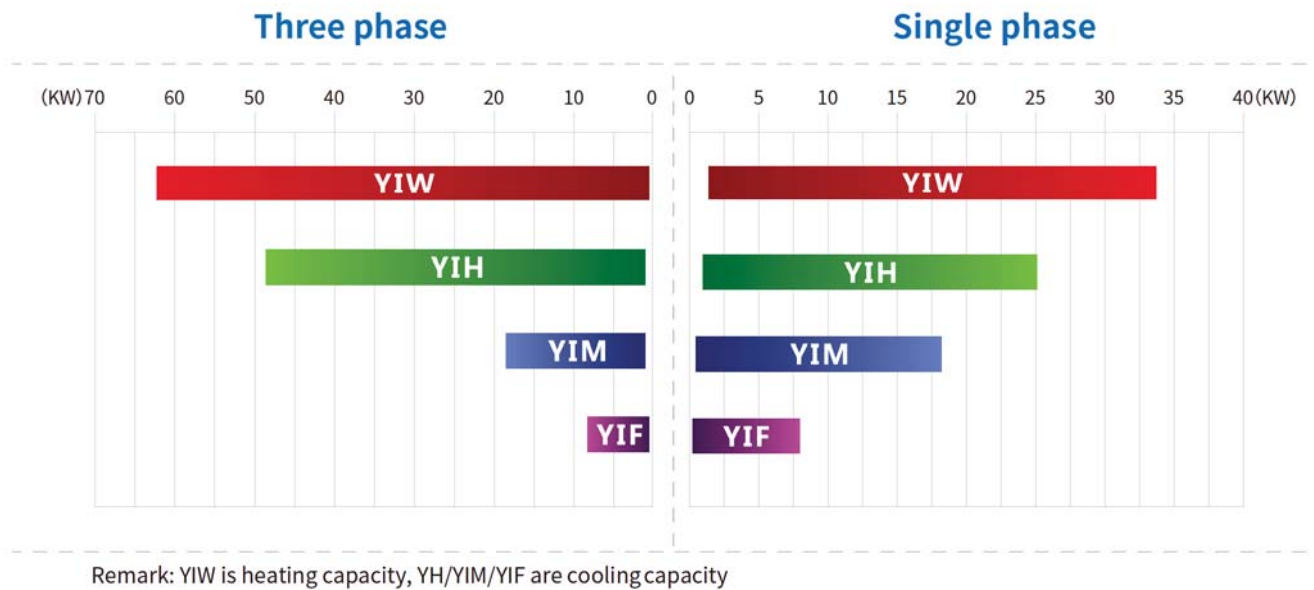
Nomenclature



Sectional view



Capacity



Main features

- Energy saving, environmental protection, energy efficiency
- Unique centrifugal force balance patent, full range silent operation
- Variable pressure ratio HVE exhaust valve, more suitable for wide evaporation and condensation temperatures
- Perfect combination of EVI and inverter technology.
- Multiple flexible design, high reliability to ensure the compressor is more suitable for bad operating conditions



YIF Series For Low Temp. Refrigeration

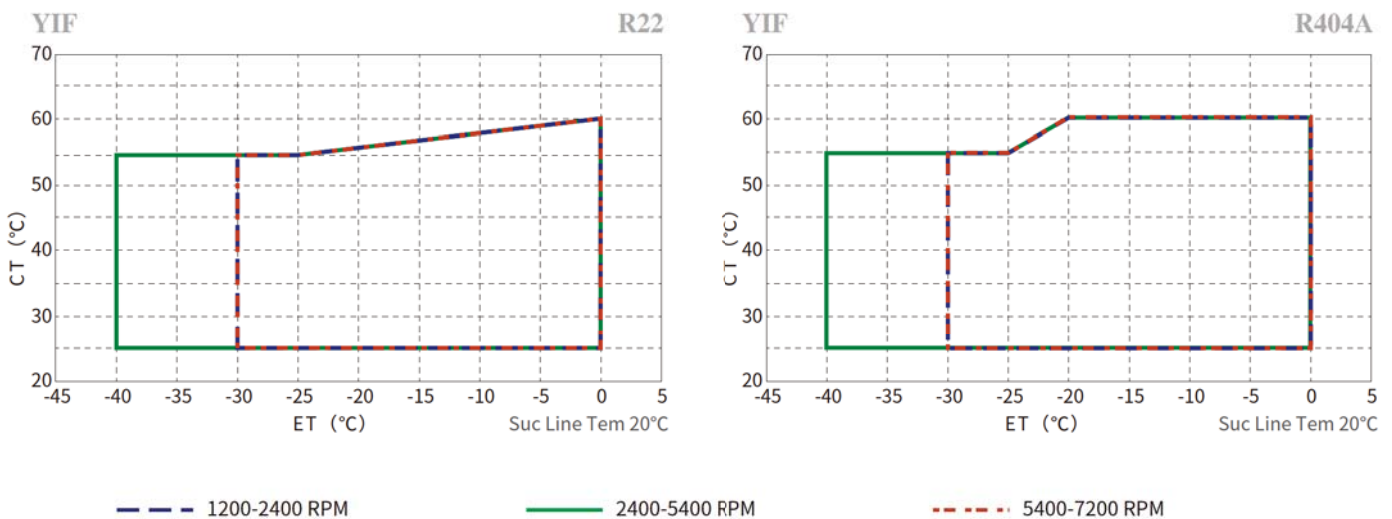
YIF Series

| Model | Electricity | Phase | Displacement cc/Rev | Capacity (W) | Power (W) | Cop (W/W) | Oil type | Refrigerant |
|-------------------------------|-------------|--------------|------------------------|-----------------|--------------|--------------|----------|-------------|
| Low temp refrigeration | | | | | | | | |
| YIF50A2G-Q100 | 220V | Single phase | 50 | 3246 | 2566 | 1.26 | 3GS | R22 |
| YIF60A2G-Q100 | 220V | Single phase | 60 | 3895 | 3039 | 1.28 | 3GS | R22 |
| YIF72A2G-Q100 | 220V | Single phase | 72 | 4674 | 3647 | 1.28 | 3GS | R22 |
| YIF50A1G-Q100 | 380~420V | Three phase | 50 | 3246 | 2491 | 1.30 | 3GS | R22 |
| YIF60A1G-Q100 | 380~420V | Three phase | 60 | 3895 | 2951 | 1.32 | 3GS | R22 |
| YIF72A1G-Q100 | 380~420V | Three phase | 72 | 4674 | 3541 | 1.32 | 3GS | R22 |
| YIF50E2G-Q100 | 220V | Single phase | 50 | 3443 | 2722 | 1.26 | POE | R404A |
| YIF60E2G-Q100 | 220V | Single phase | 60 | 4132 | 3224 | 1.28 | POE | R404A |
| YIF72E2G-Q100 | 220V | Single phase | 72 | 4958 | 3869 | 1.28 | POE | R404A |
| YIF50E1G-Q100 | 380~420V | Three phase | 50 | 3443 | 2643 | 1.30 | POE | R404A |
| YIF60E1G-Q100 | 380~420V | Three phase | 60 | 4132 | 3130 | 1.32 | POE | R404A |
| YIF72E1G-Q100 | 380~420V | Three phase | 72 | 4958 | 3756 | 1.32 | POE | R404A |

ET:-31.6°C,CT:40.6°C,superheat:36°C,subcooling:0°C,Ta:35°C; Cooling Capacity
1200-7200RPM,Rated speed:4500RPM

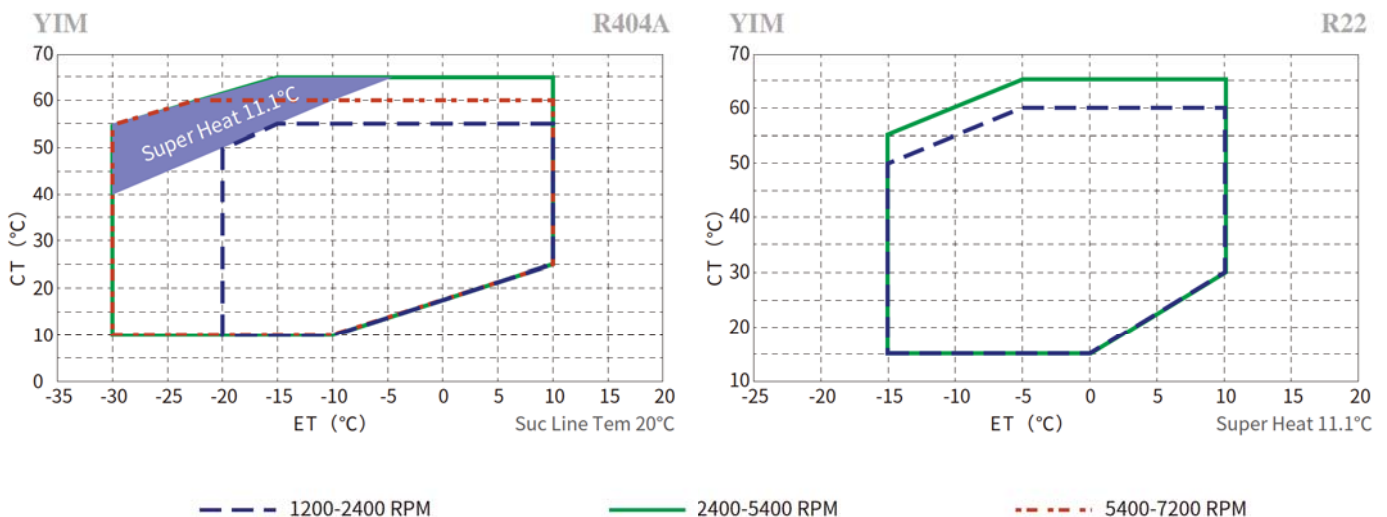
YIW Operating Envelop

YIF Series



| Model | Electricity | Phase | Displacement cc/Rev | Capacity (W) | Power (W) | Cop (W/W) | Oil type | Refrigerant |
|-------------------------------|-------------|--------------|------------------------|-----------------|--------------|--------------|----------|-------------|
| Mid temp refrigeration | | | | | | | | |
| YIM50A2G-100 | 220V | Single phase | 50 | 7975 | 3541 | 2.25 | 3GS | R22 |
| YIM60A2G-100 | 220V | Single phase | 60 | 9570 | 4195 | 2.28 | 3GS | R22 |
| YIM72A2G-100 | 220V | Single phase | 72 | 11485 | 5034 | 2.28 | 3GS | R22 |
| YIM50A1G-100 | 380~420V | Three phase | 50 | 7975 | 3438 | 2.32 | 3GS | R22 |
| YIM60A1G-100 | 380~420V | Three phase | 60 | 9570 | 4073 | 2.35 | 3GS | R22 |
| YIM72A1G-100 | 380~420V | Three phase | 72 | 11485 | 4887 | 2.35 | 3GS | R22 |
| YIM50E2G-100 | 220V | Single phase | 50 | 7883 | 4019 | 1.96 | POE | R404A |
| YIM60E2G-100 | 220V | Single phase | 60 | 9459 | 4777 | 1.98 | POE | R404A |
| YIM72E2G-100 | 220V | Single phase | 72 | 11351 | 5733 | 1.98 | POE | R404A |
| YIM50E1G-100 | 380~420V | Three phase | 50 | 7883 | 3902 | 2.02 | POE | R404A |
| YIM60E1G-100 | 380~420V | Three phase | 60 | 9459 | 4614 | 2.05 | POE | R404A |
| YIM72E1G-100 | 380~420V | Three phase | 72 | 11351 | 5537 | 2.05 | POE | R404A |

ET:-6.7°C,CT:48.9°C, superheat:11.1°C, subcooling:0°C,Ta:35°C; Cooling Capacity
1200-7200RPM, rated speed: 4500RPM

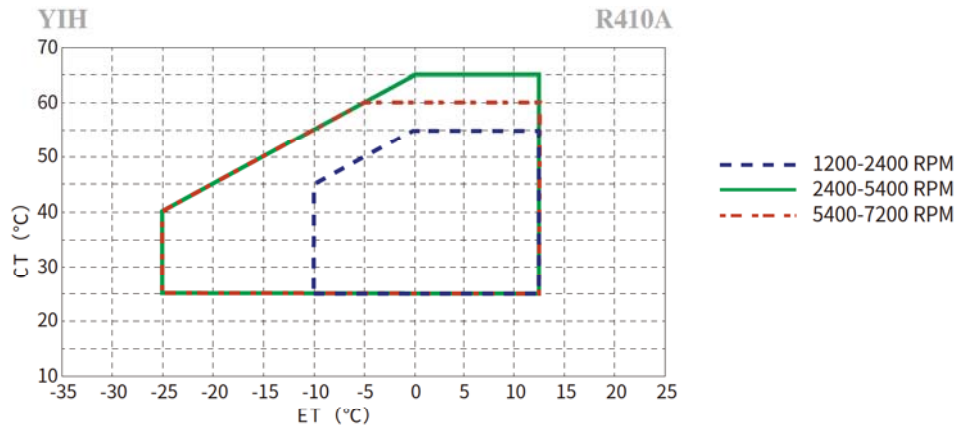


YIH Series for AC/Chiller

YIH Series

| Model | Electricity | Phase | Displacement cc/Rev | Capacity (W) | Power (W) | Cop (W/W) | Oil type | Refrigerant |
|-------------------------------------|-------------|--------------|------------------------|-----------------|--------------|--------------|----------|-------------|
| For A/C with high efficiency | | | | | | | | |
| YIH38C2G-100 | 220V | Single phase | 38 | 16100 | 5110 | 3.15 | POE | R410A |
| YIH38C1G-100 | 380~420V | Three phase | 38 | 16100 | 4953 | 3.25 | POE | R410A |
| YIH50C1G-100 | 380~420V | Three phase | 50 | 21200 | 6523 | 3.25 | POE | R410A |
| YIH60C1G-100 | 380~420V | Three phase | 60 | 25400 | 7697 | 3.30 | POE | R410A |
| YIH72C1G-100 | 380~420V | Three phase | 72 | 30500 | 9242 | 3.30 | POE | R410A |

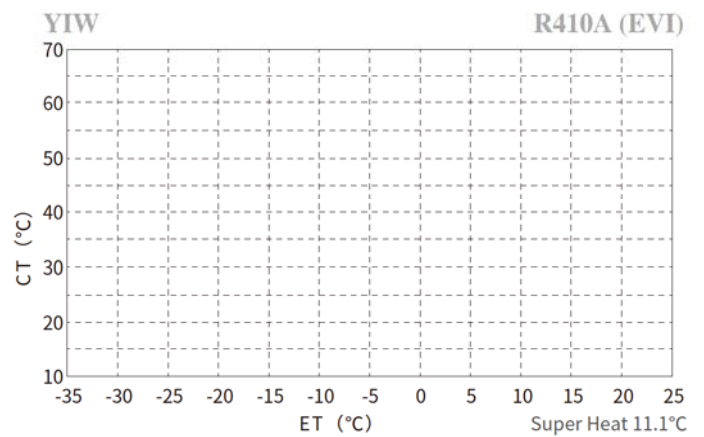
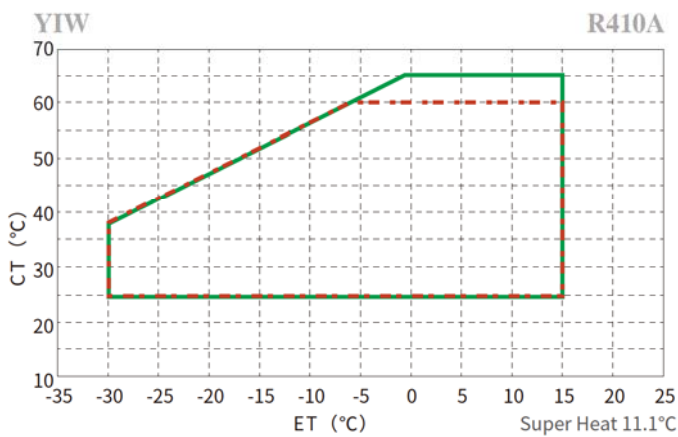
ET:7.2°C,CT:54.4°C,superheat:11.1°C,subcooling:8.3°C,Ta:35°C; Cooling Capacity
1200-7200RPM, Rated speed:4500RPM



YIH Operating Envelop

YIW Operating Envelop

YIW Series



--- 1200-2400 RPM — 2400-5400 RPM - - - 5400-7200 RPM

| Model | Electricity | Phase | Displacement cc/Rev | Capacity (W) | Power (W) | Cop (W/W) | Oil type | Refrigerant |
|-------------------------|-------------|--------------|------------------------|-----------------|--------------|--------------|----------|-------------|
| Normal heat pump | | | | | | | | |
| YIW38C2G-100 | 220V | Single phase | 38 | 19700 | 5200 | 3.79 | POE | R410A |
| YIW38C1G-100 | 380~420V | Three phase | 38 | 19549 | 5049 | 3.87 | POE | R410A |
| YIW50C1G-100 | 380~420V | Three phase | 50 | 25722 | 6643 | 3.87 | POE | R410A |
| YIW60C1G-100 | 380~420V | Three phase | 60 | 30786 | 7892 | 3.90 | POE | R410A |
| YIW72C1G-100 | 380~420V | Three phase | 72 | 36944 | 9470 | 3.90 | POE | R410A |
| YIW60E1G-100 | 380~420V | Three phase | 60 | 14285 | 3285 | 3.35 | POE | R134a |
| YIW72E1G-100 | 380~420V | Three phase | 72 | 17140 | 3940 | 3.35 | POE | R134a |
| With EVI | | | | | | | | |
| YIW38C2G-V100 | 220V | Single phase | 38 | 20685 | 5460 | 3.79 | POE | R410A |
| YIW38C1G-V100 | 380~420V | Three phase | 38 | 20526 | 5301 | 3.87 | POE | R410A |
| YIW50C1G-V100 | 380~420V | Three phase | 50 | 27008 | 6975 | 3.87 | POE | R410A |
| YIW60C1G-V100 | 380~420V | Three phase | 60 | 32326 | 8286 | 3.90 | POE | R410A |
| YIW72C1G-V100 | 380~420V | Three phase | 72 | 38791 | 9944 | 3.90 | POE | R410A |
| YIW60E1G-V100 | 380~420V | Three phase | 60 | 15000 | 3450 | 4.35 | POE | R134a |
| YIW72E1G-V100 | 380~420V | Three phase | 72 | 18000 | 4137 | 4.35 | POE | R134a |

Refrigerant :R410A(ET:5°C,CT:55°C,superheat:11.1°C,subcooling:8.3°C,Ta:35°C; Heating Capacity

Refrigerant :R134a(ET:7.2°C,CT:54.4°C,superheat:11.1°C,subcooling:8.3°C,Ta:35°C; Heating Capacity

1200-7200RPM, rated speed: 4500RPM

