



感谢使用鸿森产品

Thanks for using HONGSEN products

FRF22W、FRF134W、FRF404W、FRF410W、FRF407W型

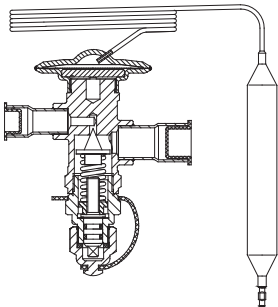
热力膨胀阀使用说明书

Model FRF22W, FRF134W, FRF404W, FRF410W, FRF407W

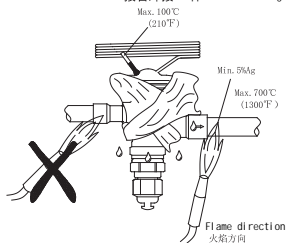
The instructions for the use of thermal
expansion valve

浙江鸿森机械有限公司

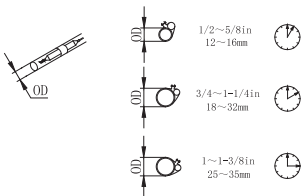
Zhejiang Hongsen Machinery Co., Ltd.

Applicable refrigerant 适用制冷剂	R22, R134a, R404A, R410A, R407C 等	
适用介质温度 Applicable medium temperature	-40°C~+10°C	
最大工作压力 Max. working pressure	2.8MPa	
最大测试压力 Max. testing pressure	3.2MPa	
过热度调节范围 Adjustable Range of Superheat	2°C~8°C	

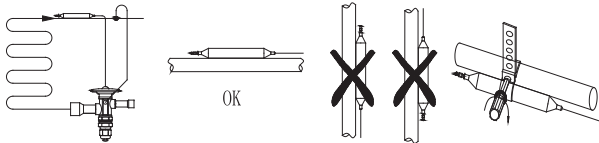
接管焊接 Copper tube welding



感温包安装 Bulb installation



感温包安装 Bulb installation



Copper tube Size

Nominal refrigerating capacity

Refrigerant 制冷剂	Model 型号	Pressure Equalisation 压力平衡	接管尺寸			名义制冷量	
			Inlet 进口端	Outlet 出口端	外均端 External Equaliser	冷吨 (T)	千瓦 (KW)
R22 R407C	FRF22W-3-3-5	External equalisation 外 平 衡	3/8"	5/8"	1/4"	3.1	10.7
	FRF22W-3-4-5		1/2"	5/8"			
	FRF22W-4-4-7		1/2"	7/8"		4.2	14.5
	FRF22W-6-4-5		1/2"	5/8"		6.1	21.2
	FRF22W-6-4-7		1/2"	7/8"		7.7	27.1
	FRF22W-7.5-5-7		5/8"	7/8"		11.4	40.0
	FRF22W-11-5-7		5/8"	7/8"			
	FRF22W-11-5-9		5/8"	1-1/8"		12.2	42.6
	FRF22W-12-5-7		5/8"	7/8"			
	FRF22W-12-5-9		5/8"	1-1/8"		15.5	54.3
	FRF22W-15-5-9		5/8"	1-1/8"			
	FRF22W-15-7-9		7/8"	1-1/8"		18.1	63.2
	FRF22W-18-7-9		7/8"	1-1/8"			
	FRF22W-18-7-11		7/8"	1-3/8"		26.3	92.0
	FRF22W-26-7-11		7/8"	1-3/8"			
	FRF22W-26-9-11		1-1/8"	1-3/8"		29.9	104.8
	FRF22W-30-7-11		7/8"	1-3/8"			
	FRF22W-30-9-11		1-1/8"	1-3/8"		38.5	134.7
FRF22W-38-9-11	1-1/8"	1-3/8"					

※ 名义制冷量的工况条件为：蒸发温度 $t_e=+5^{\circ}\text{C}$ 冷凝温度 $t_k=+40^{\circ}\text{C}$ 过冷度 2°C

Working Condition of Nominal Refrigerating Capacity: Evaporation Temperature $t_e=+5$
Condensation Temperature $t_k=+40$ Subcooling 2

Copper tube Size

Nominal refrigerating capacity

Refrigerant 制冷剂	Model 型号	Pressure Equalisation 压力平衡	接管尺寸			名义制冷量	
			Inlet 进口端	Outlet 出口端	外均端 External Equaliser	冷吨 (T)	千瓦 (KW)
R134a	FRF134W-3.5-4-5	External equalisation 外 平 衡	1/2"	5/8"	1/4"	3.7	12.8
	FRF134W-4.5-5-7		5/8"	7/8"		4.9	17.4
	FRF134W-7-5-7		5/8"	7/8"		7.2	25.3
	FRF134W-8-5-9		5/8"	1-1/8"		8.7	30.5
	FRF134W-10-7-9		7/8"	1-1/8"		11.0	38.6
	FRF134W-12-7-11		7/8"	1-1/8"		13.0	45.8
	FRF134W-17-7-11		7/8"	1-3/8"		18.1	63.5
	FRF134W-20-9-11		1-1/8"	1-3/8"		20.6	72.3

※ 名义制冷量的工况条件为：蒸发温度 $t_e=+5^{\circ}\text{C}$ 冷凝温度 $t_k=+40^{\circ}\text{C}$ 过冷度 2°C

Working Condition of Nominal Refrigerating Capacity: Evaporation Temperature $t_e=+5$
Condensation Temperature $t_k=+40$ Subcooling 2

Copper tube Size

Nominal refrigerating capacity

Refrigerant 制冷剂	Model 型号	Pressure Equalisation 压力平衡	接管尺寸			名义制冷量	
			Inlet 进口端	出口 端 Outlet	外均端 External Equaliser	冷吨 (T)	千瓦 (KW)
R404A R507	FRF404W-4-4-5	External equalisation 外 平 衡	1/2"	5/8"	1/4"	2.8	9.7
	FRF404W-5-5-7		5/8"	7/8"		3.5	12.3
	FRF404W-7.5-5-7		5/8"	7/8"		5.1	18.0
	FRF404W-9-5-7		5/8"	7/8"		6.3	22.0
	FRF404W-11-5-9		5/8"	1-1/8"		7.8	27.2
	FRF404W-13-7-9		7/8"	1-1/8"		9.2	32.2
	FRF404W-18-7-11		7/8"	1-3/8"		12.5	43.6
	FRF404W-21-7-11		7/8"	1-3/8"		15.5	54.1
	FRF404W-26-9-11		1-1/8"	1-3/8"		18.5	64.7

※ 名义制冷量的工况条件为：蒸发温度 $t_e=+5^{\circ}\text{C}$ 冷凝温度 $t_k=+40^{\circ}\text{C}$ 过冷度 2°C

Working Condition of Nominal Refrigerating Capacity: Evaporation Temperature $t_e=+5$
Condensation Temperature $t_k=+40$ Subcooling 2

Copper tube Size

Nominal refrigerating capacity

Refrigerant 制冷剂	Model 型号	Pressure Equalisation 压力平衡	接管尺寸			名义制冷量	
			Inlet 进口端	Outlet 出口端	External Equaliser 外均端	冷吨 (T)	千瓦 (KW)
R410A	FRF410W-3.5-3-5	External equalisation 外 平 衡	3/8"	5/8"	1/4"	3.6	12.6
	FRF410W-4.5-4-7		1/2"	7/8"		4.8	17.0
	FRF410W-6.5-4-7		1/2"	7/8"		7.1	24.8
	FRF410W-9-5-7		5/8"	7/8"		9.3	32.8
	FRF410W-13-5-7		5/8"	7/8"		13.4	47.0
	FRF410W-15-5-7		5/8"	7/8"		15.9	56.0
	FRF410W-19-5-9		5/8"	1-1/8"		20.0	70.4
	FRF410W-23-7-9		7/8"	1-1/8"		23.5	82.7
	FRF410W-31-7-11		7/8"	1-3/8"		32.3	113.7
	FRF410W-35-7-11		7/8"	1-3/8"		36.6	128.8
	FRF410W-46-9-11		1-1/8"	1-3/8"		46.4	163.1

※ 名义制冷量的工况条件为：蒸发温度 $t_e=+5^{\circ}\text{C}$ 冷凝温度 $t_k=+40^{\circ}\text{C}$ 过冷度 2°C

Working Condition of Nominal Refrigerating Capacity: Evaporation Temperature $t_e=+5$
Condensation Temperature $t_k=+40$ Subcooling 2